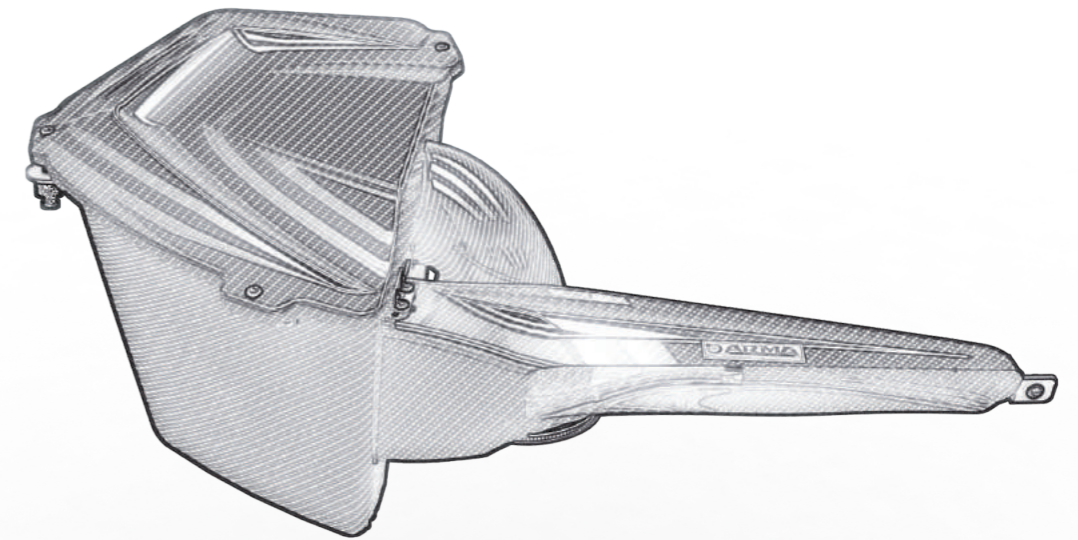




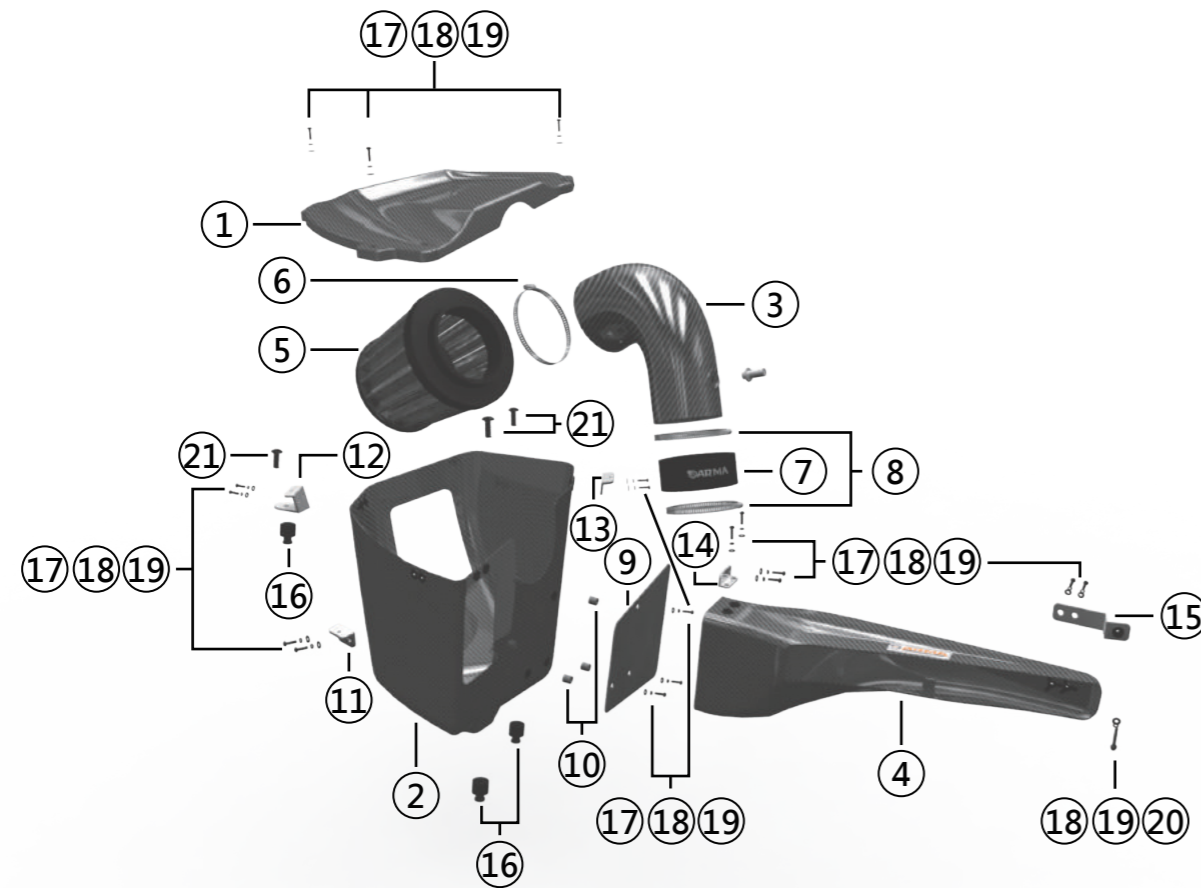
VARIABLE AIR INTAKE SYSTEM



AUDI A4B9

USER MANUAL

ARMA Warranty Terms



Following have been combine			
Drawing No.	Part	No.	Quantity
	Metal nameplates	CG40-10-0005	1
	n type rubber	CS50-01-0008	1
	M4 Blind jack nut	CG46-10-0292	16
	AD S4 Aluminum adapter	CG57-AR10083	1

DIY Part			
Drawing No.	Part	No.	Quantity
1	A4B9 upper intake box lid	ARMAADA4B9-1	1
2	A4B9 intake box	ARMAADA4B9-2	1
3	A4B9 intake pipe	ARMAADA4B9-3	1
4	A4B9 intake vent	ARMAADA4B9-4	1
5	Air Filter 138 Height X 89 Wide	CS56-AR60039	1
6	90-110mm Hose Clamp	CG45-10-0011	1
7	76mm to 76mm Silica Hose	CS53-AR50029	1
8	70-90mm Hose Clamp	CG45-30-0090	2
9	A4B9 aluminum heat blocking shield	CG83-01-0395	1
10	Heat insulation pad	CG83-01-0407	3
11	A4B9 Aluminum bracket -1	CG83-01-0396	1
12	A4B9 Aluminum bracket -2	CG83-01-0397	1
13	A4B9 Aluminum bracket -3	CG83-01-0398	1
14	A4B9 Aluminum bracket -4	CG83-01-0399	1
15	A4B9 Aluminum bracket -5	CG83-01-0400	1
16	A4B9 Plastic cylinder	CS61-01-0025	3
17	CAP M4*20mm Screws	CG46-90-0004	18
18	M4mm Washers	CG48-10-0023	19
19	M4 Spring Washers	FG55-01-0042	19
20	CAP M4*60mm Screws	FG55-03-0014	1
21	CAP M6*16mm Screws	FG55-01-0250	3

Warranty Period

Hardware: 6 months / 10,000 km from the date of purchase. Non-transferrable.

Software(electronic): 1 year / 30,000 km from the date of purchase. Non-transferrable.

(Accessories which include wires, batteries, solenoid valve, one-way check valve, vacuum tube etc. are excluded from the warranty.)

Air filter is not under the warranty.

Disclaimer of Warranty

1.To accommodate the local weather, most of Car Company would adjust little bit different for the ECU. As changing intake or exhaust system would cause engine lights on, the purpose of ARMA is to help car user to have best efficiency. ARMA will not guaranty and offer warranty for the sense of driving, change gears, torque limit, engine light on, etc. Please kindly understand any modification may cause risk.

2.This product is designed to improve car performance for everyday driving. This warranty becomes invalid if the product is used in race or competition.

3.ARMA Limited Warranty does not cover any damage to the product caused in whole or in part by force majeure or harsh riding characteristics.

4.Manufacturer shall NOT be liable for incidental or consequential damages whatsoever and in no case shall Manufacturer be responsible for any damages exceeding the original purchase price of the product.

5.Purchaser understand and agree only ARMA has right to amend the terms of use, as any agents or performance car shops cannot violet the statement.

6.All performance parts or systems should be installed by mechanics who are experienced in the installation and proper operation. The warranty is void if the product is misused or alters the design and disassembling without authorization of Manufacturer, or failure to follow Manufacturer's instructions to install and maintain.

● Improper installation: If the vacuum valve is directly installed right above the exhaust pipe, it will cause a certain degree of damage to the valve after long-term use. The ECV box only must be located in the driver cabin, or the warranty will be void.

● As the installation manual has no notify, please do not drill, trim, paint, modified... etc. In addition, please do not destory or change the function, outside look and setting method. Otherwise, it will not be under the warranty.

● Hot swapping: A hot swap of electronics is strictly prohibited. It will cause a direct damage to the electronic units.

● Avoid damaging to AMRA objects during cutting or installation, or reversing the polarity.

● Electronic units being damped is not covered under ARMA warranty.

Limited Warranty

ARMA ("Manufacturer") warrants to the original buyer that this product is free from manufacturing defects in materials and workmanship in the limited duration. If the product is found to be defective, in Manufacturer's sole judgment, it will be either repaired or replaced by a new product, and the buyer shall be liable for return shipping/handling fees. If this products has been stop for production, we'll only take repair, but no exchange.

If you have any questions about our warranty terms, please send an email directly to: service@armaspeed.com

Tel : +886-6-5930028 E-mail : info@armaspeed.com Web : www.armaspeed.com



All performance parts or systems should be installed by mechanics who are experienced in the installation and proper operation. The warranty is void if the product is misused or alters the design and disassembling without authorization of Manufacturer, or failure to follow Manufacturer's instructions to install and maintain.

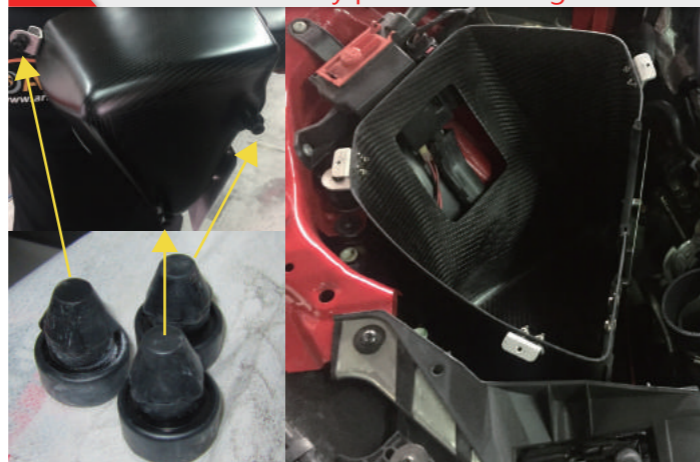


When fastening metal hose clamp, recommended torque value 1.5N/M, over-tightening might result in deformation or crack.

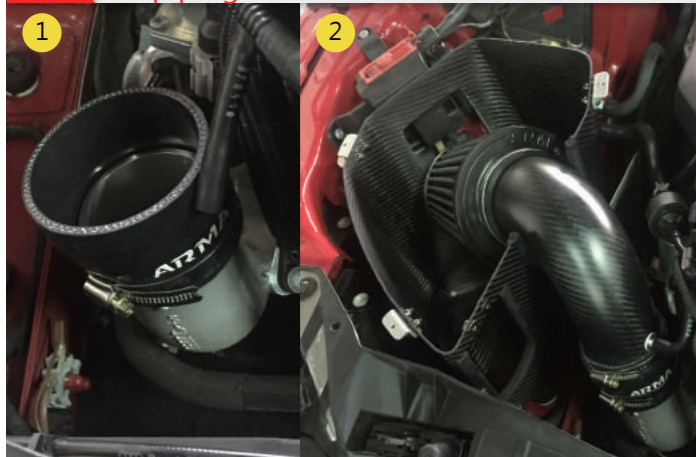
1 Disassemble the OEM air box



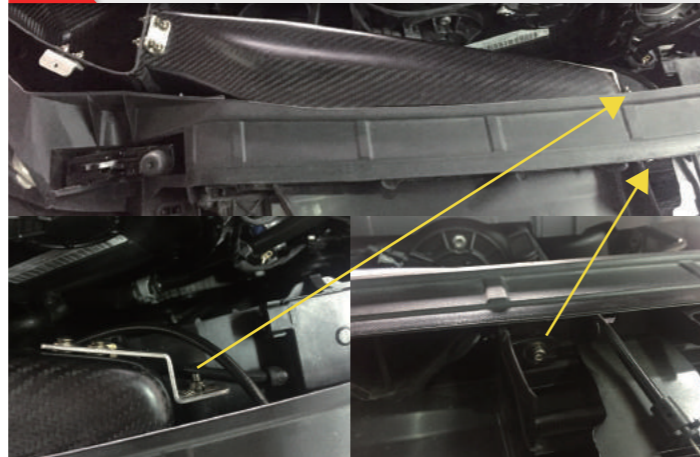
2 Re use the factory plastic securing heads



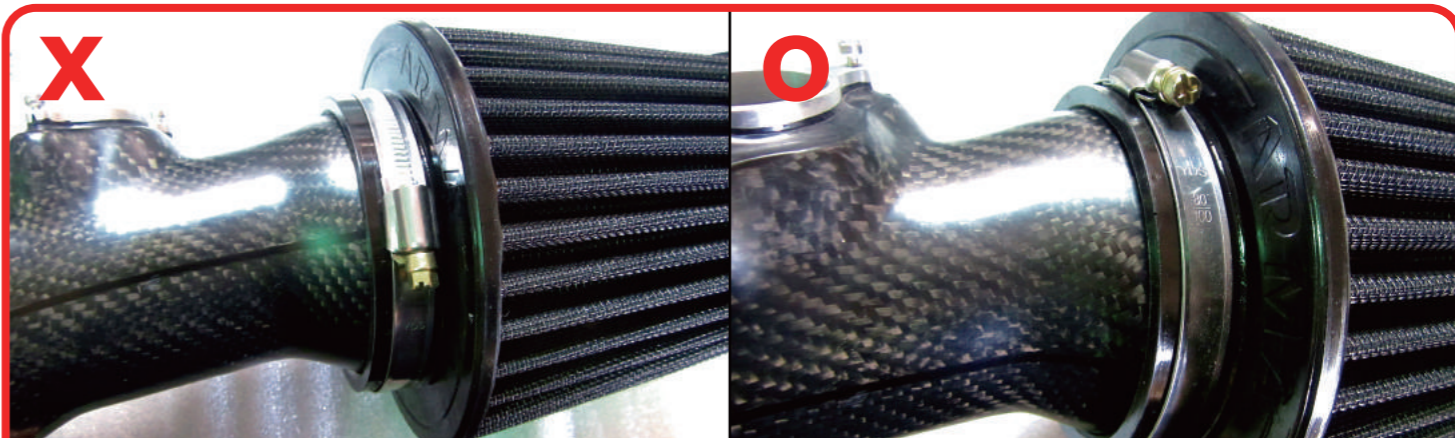
3 First secure the silicone adapter, then install the piping with air filter secured



4 Install the intake vent



5 install the air box cover then re install the factory engine lid



Please avoid fasten the head of the clamp at the line shown on the intake.